

ICE0325 - Cube Ice Maker



Ice Form



FULL CUBE DIMENSIONS	
W x D x H (mm)	22 x 22 x 22
HALF CUBE DIMENSIONS	
W x D x H (mm)	10 x 22 x 22

Features

- Narrow Profile
- Space-saving 567mm wide design.
- Produces up to 137kg of ice per day.
- Harvest Assist provides consistent ice production for the life of the ice maker while reducing energy consumption and increasing capacity.
- Pure Ice® exclusively by Ice-O-Matic. Built-in antimicrobial protection for the life of the ice maker inhibits bacteria growth on ice maker surfaces. Coast's optional water filtration system provides protection against unpleasant tastes, odours and scale formation.
- Durable, electroless nickel plating on all evaporator plates ensures reliability.
- Constructed from corrosion-resistant stainless steel and fingerprint-proof plastic.
- Made in U.S.A

Warranty: 3 years parts and labour, and 5 years parts coverage on evaporator and compressor.

Options & Accessories

Recommended Water Filter	
System	Replacement
CD10	CD100



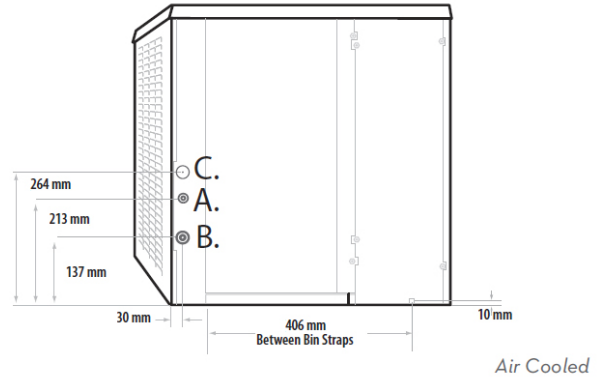
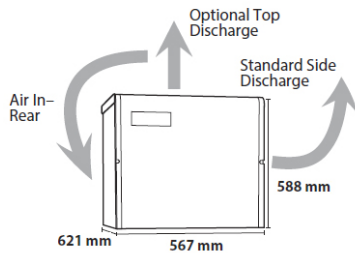
S105
Certificate No. 23245

ICE0325 - Cube Ice Maker

Air Cooled

Please note: air-cooled units require 152 mm clearance for air intake and exhaust.

- A. Ice maker potable water in, 3/8" FPT.
- B. Ice maker water out, 3/4" FPT.
- C. Hole for electrical connections, 7/8".



Air Cooled

Dimensions

Model ICE0325	
W x D x H (mm)	567 x 621 x 588

Operating Requirements

	Minimum	Maximum (50Hz)
Ambient Temp. Range Air	10°C	43°C
Water Temp.	4.4°C	
Water Pressure	1.4 BAR	4.1 BAR

Specifications

Model	Cond. Unit	Ice Production		Water Usage	kWH Used	Watts Used	Voltage Characteristics	Min. Circuit Ampacity	Fuse Size	Approx. BTUs
		Per 24 hrs @ 21°C air / 10°C water	Per 24 hrs @ 32°C air / 21°C water	Litres per 45kg of ice @ 32°C air / 21°C water	Per 45 kg of ice @ 32°C air / 21°C water	Per Hr @ 32°C air / 21°C water				Per hr
ICE0325	Air	137kg	97kg	107	7.2	640	220-240/50/1	6.6	16	4,990

Bin Chart Kits for Combining Wider Bins with Smaller Models

Model	B25 110kg capacity 762mm width	B40 156kg capacity 762mm width	B42 160kg capacity 559mm width	B55 232kg capacity 762mm width	B100 388kg capacity 1219mm width	CD40522 55kg capacity 559mm width
ICE0325	Bin Adapter required	Bin Adapter required	Kit not required	Bin Adapter required	N/A	N/A

Notes

- Number of wires: 3 (including ground)
- Approx. Shipping Weight: 68kg
- R404A